

# LM4981 Boomer® Audio Power Amplifier Series

## Ground-Referenced, 80mW Stereo Headphone Amplifier with Up/Down Volume Control

### General Description

The LM4981 is a stereo, ground-referenced, output capacitor-less headphone amplifier capable of delivering 83mW of continuous average power into a 16Ω load with less than 1% THD+N while operating from a single 3V supply.

The LM4981 features a new circuit technology that utilizes a charge pump to generate a negative reference voltage. This allows the outputs to be biased about ground, thereby eliminating output-coupling capacitors typically used with normal single-ended loads.

The LM4981 provides high quality audio reproduction with minimal external components. A ground referenced output eliminates the output coupling capacitors typically required to drive single-ended loads such as headphones. The ground reference architecture reduces components count, cost and board space consumption, making the LM4981 ideal for handheld MP3 players, mobile phones and other portable equipment where board space is at a premium. Eliminating the output capacitors also improves low frequency response.

The LM4981 operates from a single 2.0V – 4.2V supply, and features a 2-wire, up/down volume control that sets the gain of the amplifier between -33dB to +12dB in 16 discrete steps. Selectable (active high/low) low power shutdown mode provides flexible shutdown control. Superior click and pop suppression eliminates audible transients during start-up and shutdown.

### Key Specifications

■ Improved PSRR at 217Hz	67dB (typ)
■ THD+N at 1kHz, 50mW into 32Ω SE (3V)	1.0% (typ)
■ Single Supply Operation ( $V_{DD}$ )	2.0 to 4.2V
■ Power Output at $V_{DD} = 3V$ , $RL = 16\Omega$ , $THD \leq 1\%$	83mW (typ)
■ Shutdown Current	0.01μA (typ)

### Features

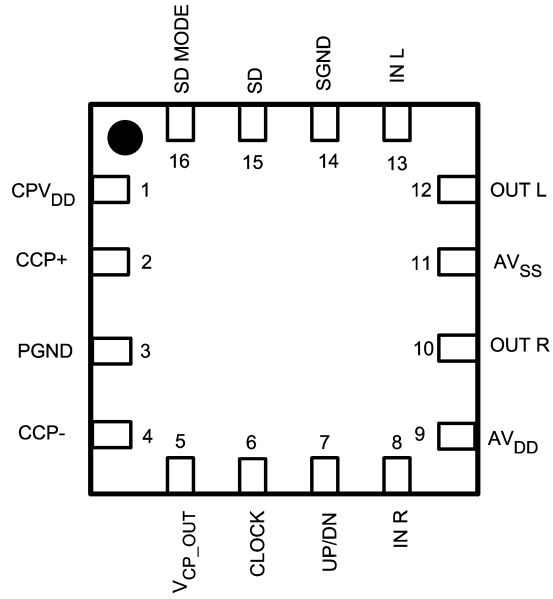
- Ground Referenced Outputs
- No Output Coupling Capacitors
- 16-Step Volume Control
- High PSRR
- Available in Space Saving LLP package
- Low Power Shutdown Mode
- Improved Click and Pop Suppression Eliminates Noises During Turn-on and Turn-off Transients
- 2.0V to 4.2V Operation
- 83mW Per Channel Into 16Ω
- Selectable Shutdown Controls (Active High/Low)

### Applications

- Portable MP3 Players
- Mobile Phones
- PDAs

# Connection Diagrams

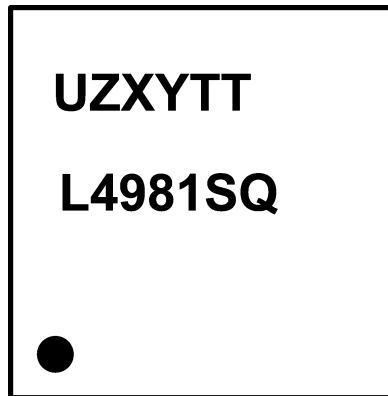
## LLP Package



20147338

**Top View**  
**Order Number LM4981SQ**  
**See NS Package Number SQA16A**

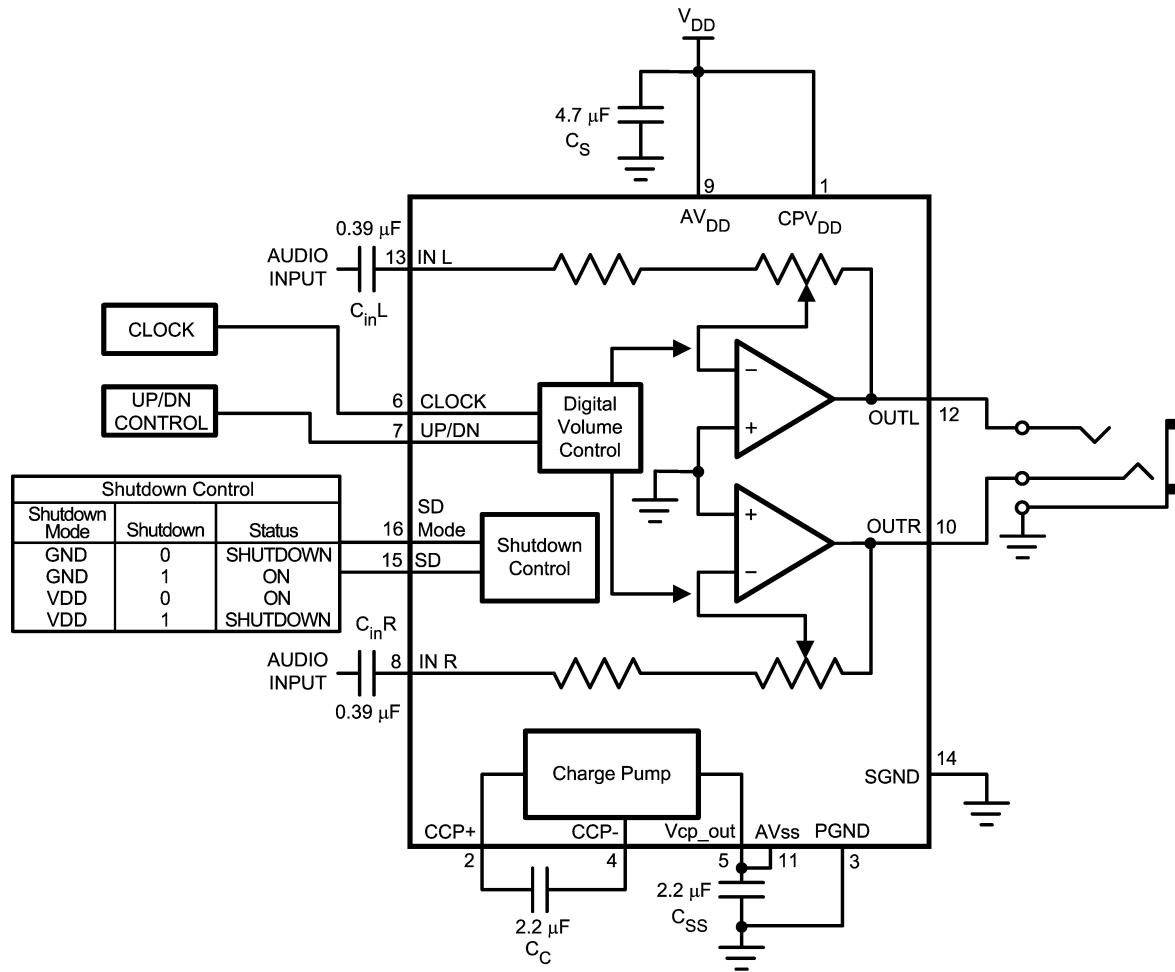
## LLP Marking



20147394

**Top View**  
**U = Wafer Fab code**  
**Z = Assembly plant**  
**XY = 2 Digit date code**  
**TT = Die Traceability**  
**L4981SQ = LM4981SQ**

# Typical Application



20147337

FIGURE 1. Typical Audio Amplifier Application Circuit

Pin	Name	Function
1	CP <sub>VDD</sub>	Charge Pump Power Supply
2	CCP+	Positive Terminal- charge pump flying capacitor
3	PGND	Power Ground
4	CCP-	Negative Terminal- charge pump flying capacitor
5	VCP_OUT	Charge Pump Output
6	CLOCK	Clock
7	UP/DN	Up / Down
8	INR	Right Input
9	AV <sub>DD</sub>	Positive Power Supply - Amplifier
10	OUT R	Right Output
11	AV <sub>SS</sub>	Negative Power Supply - Amplifier
12	OUT L	Left Output
13	IN L	Left Input
14	SGND	Signal Ground
15	SD	Shutdown
16	SD MODE	Shutdown Mode Pin

**Absolute Maximum Ratings** (Note 2)

If Military/Aerospace specified devices are required, please contact the National Semiconductor Sales Office/Distributors for availability and specifications.

Supply Voltage	4.5V
Storage Temperature	-65°C to +150°C
Input Voltage	-0.3V to $V_{DD} + 0.3V$
Power Dissipation (Note 3)	Internally Limited
ESD Susceptibility (Note 4)	2500V

ESD Susceptibility (Note 5)

250V

Junction Temperature

150°C

**Operating Ratings**

Temperature Range

$$T_{MIN} \leq T_A \leq T_{MAX}$$

$$-40^\circ\text{C} \leq T_A \leq 85^\circ\text{C}$$

Supply Voltage ( $V_{DD}$ )

$$2.0V \leq V_{CC} \leq 4.2V$$

**Electrical Characteristics  $V_{DD} = 3V$**  (Notes 1, 2)

The following specifications apply for  $V_{DD} = 3V$ ,  $AV = 1V/V$ ,  $R_L = 32\Omega$ ,  $f = 1\text{kHz}$ , unless otherwise specified. Limits apply to  $T_A = 25^\circ\text{C}$ .

Symbol	Parameter	Conditions	LM4981		Units (Limits)
			Typical (Note 6)	Limit (Note 7)	
$I_{DD}$	Quiescent Power Supply Current	$V_{IN} = 0V$ , $R_L = \infty$	7	10	mA
$I_{SD}$	Shutdown Current	$V_{SD} = \text{GND}$	0.1	3.5	$\mu\text{A}$
$V_{IH}$	Logic Input Voltage High	SHDN, SDM, CLOCK, U/D		$0.7V_{DD}$	V
$V_{IL}$	Logic Input Voltage Low	SHDN, SDM, CLOCK, U/D		$0.3V_{DD}$	V
	Digital Volume	Input Referred Maximum Gain	12		dB
		Input Referred Minimum Gain	-33		dB
	Volume Step Size		3		dB
	Step Size Error		$\pm 0.3$		dB
	Channel-to-Channel Volume Tracking Error	All gain settings	0.15		dB
$T_{WU}$	Wake Up Time		300		$\mu\text{s}$
$V_{OS}$	Output Offset Voltage	$R_L = 32\Omega$	1	5	mV
$P_O$	Output Power	THD+N = 1% (max); $f = 1\text{kHz}$ , $R_L = 16\Omega$ , one channel	83		mW
		THD+N = 1% (max); $f = 1\text{kHz}$ , $R_L = 32\Omega$ , one channel	75		mW
		THD+N = 1% (max); $f = 1\text{kHz}$ , $R_L = 16\Omega$ , (two channels in phase)	40	33	mW (min)
		THD+N = 1% (max); $f = 1\text{kHz}$ , $R_L = 32\Omega$ , (two channels in phase)	47	43	mW (min)
THD+N	Total Harmonic Distortion	$P_O = 60\text{mW}$ , $f = 1\text{kHz}$ , $R_L = 16\Omega$ single channel	0.03		%
		$P_O = 50\text{mW}$ , $f = 1\text{kHz}$ , $R_L = 32\Omega$ single channel	0.02		
PSRR	Power Supply Rejection Ratio	$V_{RIPPLE} = 200\text{mV}_{P-P}\text{Sine}$ , $f_{RIPPLE} = 1\text{kHz}$ , Inputs AC GND, $C_I = 1\mu\text{F}$	65		dB
		$V_{RIPPLE} = 200\text{mV}_{P-P}\text{Sine}$ , $f_{RIPPLE} = 10\text{kHz}$ , Inputs AC GND, $C_I = 1\mu\text{F}$	50		dB
		$V_{RIPPLE} = 200\text{mV}_{P-P}\text{Sine}$ , $f_{RIPPLE} = 217\text{Hz}$	67		dB
$\epsilon_{OS}$	Output Noise	A-Weighted Filter	11		$\mu\text{V}$

## Electrical Characteristics $V_{DD} = 3V$ (Notes 1, 2) (Continued)

**Note 1:** All voltages are measured with respect to the GND pin unless otherwise specified.

**Note 2:** Absolute Maximum Ratings indicate limits beyond which damage to the device may occur. Operating Ratings indicate conditions for which the device is functional but do not guarantee specific performance limits. Electrical Characteristics state DC and AC electrical specifications under particular test conditions which guarantee specific performance limits. This assumes that the device is within the Operating Ratings. Specifications are not guaranteed for parameters where no limit is given, however, the typical value is a good indication of device performance.

**Note 3:** The maximum power dissipation must be derated at elevated temperatures and is dictated by  $T_{JMAX}$ ,  $\theta_{JA}$ , and the ambient temperature,  $T_A$ . The maximum allowable power dissipation is  $P_{DMAX} = (T_{JMAX} - T_A) / \theta_{JA}$  or the number given in Absolute Maximum Ratings, whichever is lower. For the LM4981, see power derating currents for more information.

**Note 4:** Human body model, 100pF discharged through a 1.5k $\Omega$  resistor.

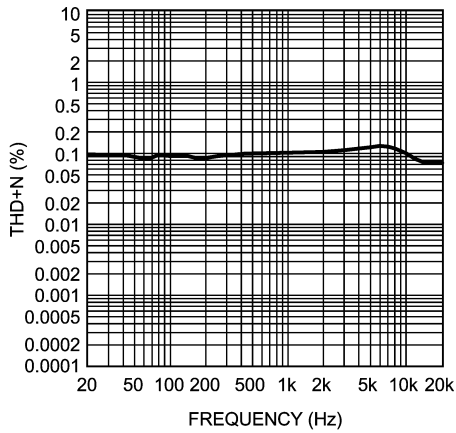
**Note 5:** Machine Model, 220pF - 240pF discharged through all pins.

**Note 6:** Typical specifications are specified at +25°C and represent parametric norm.

**Note 7:** Limits are guaranteed to National's AOQL (Average Outgoing Quality Level).

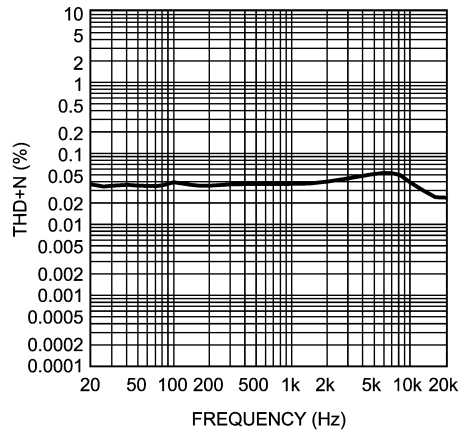
# Typical Performance Characteristics

**THD+N vs Frequency**  
 $V_{DD} = 1.8V, R_L = 16\Omega, P_O = 5mW$



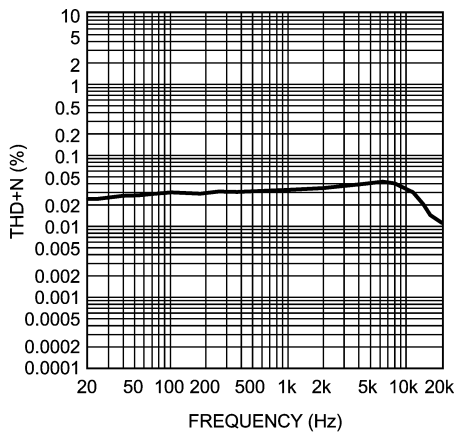
20147339

**THD+N vs Frequency**  
 $V_{DD} = 1.8V, R_L = 32\Omega, P_O = 5mW$



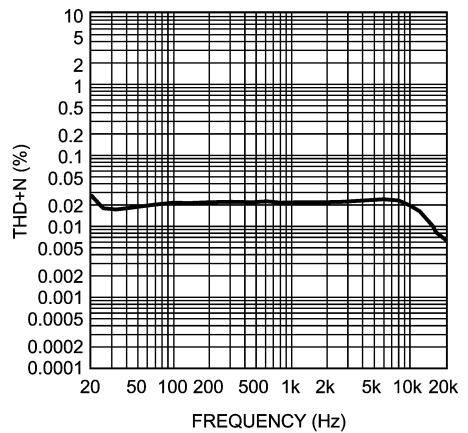
20147340

**THD+N vs Frequency**  
 $V_{DD} = 3V, R_L = 16\Omega, P_O = 50mW$



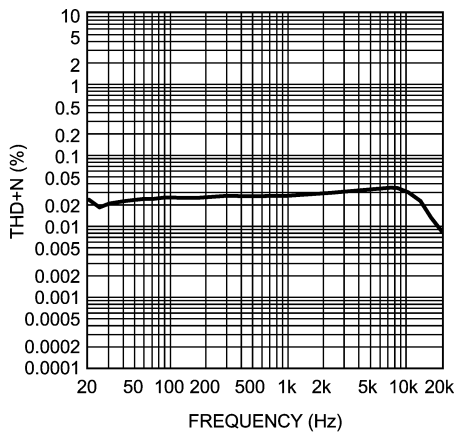
20147341

**THD+N vs Frequency**  
 $V_{DD} = 3V, R_L = 32\Omega, P_O = 50mW$



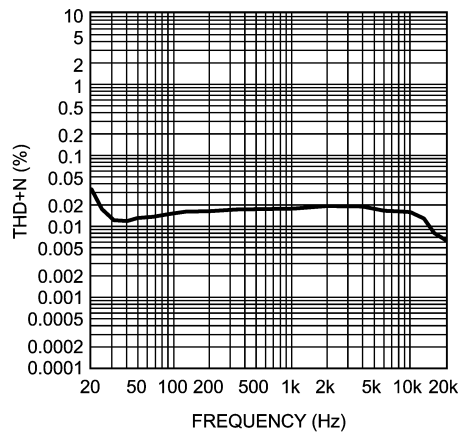
20147342

**THD+N vs Frequency**  
 $V_{DD} = 3.6V, R_L = 16\Omega, P_O = 100mW$



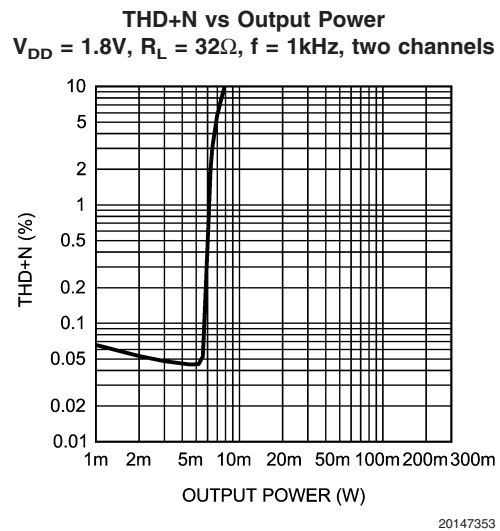
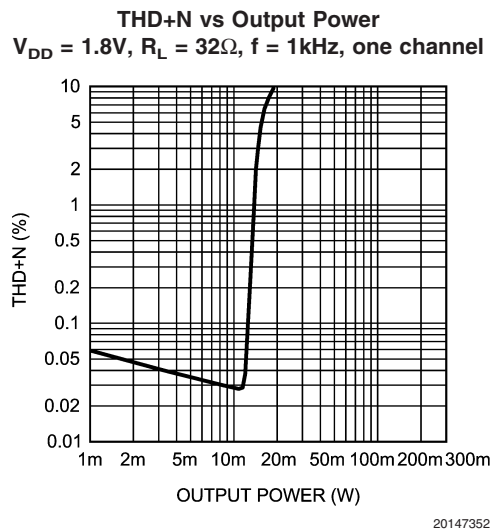
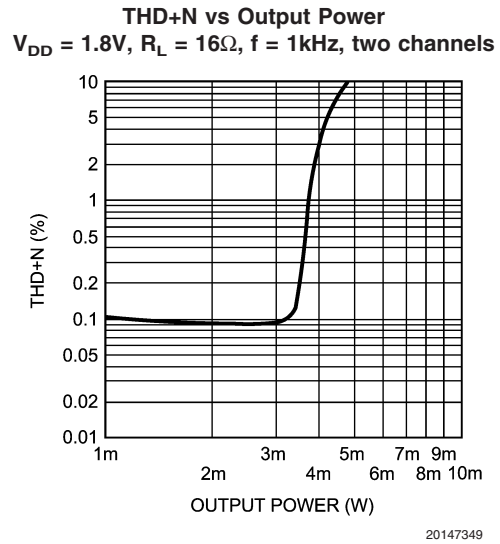
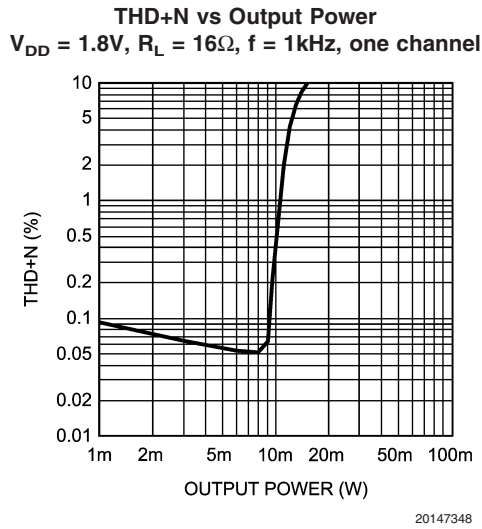
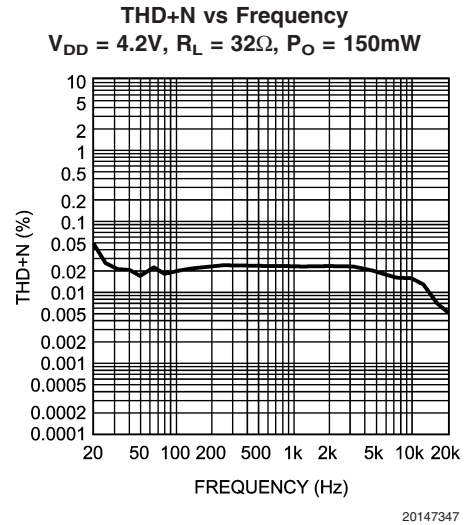
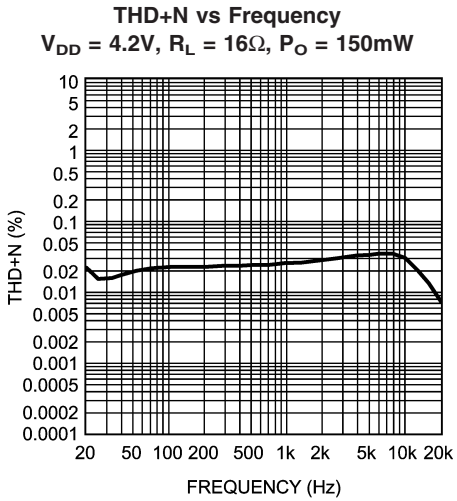
20147343

**THD+N vs Frequency**  
 $V_{DD} = 3.6V, R_L = 32\Omega, P_O = 100mW$



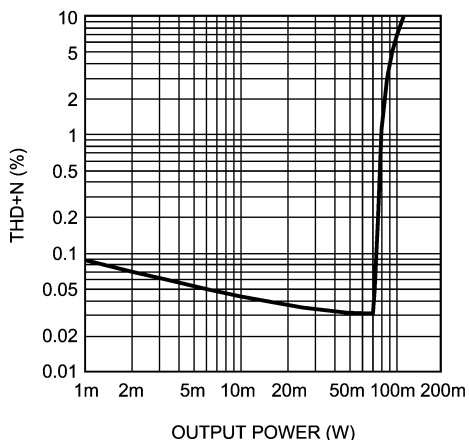
20147345

Typical Performance Characteristics (Continued)



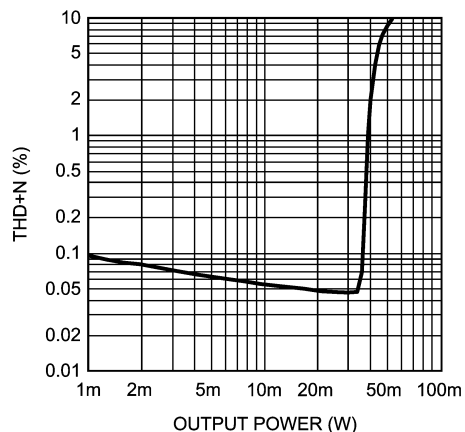
# Typical Performance Characteristics (Continued)

**THD+N vs Output Power**  
 $V_{DD} = 3V, R_L = 16\Omega, f = 1kHz, \text{one channel}$



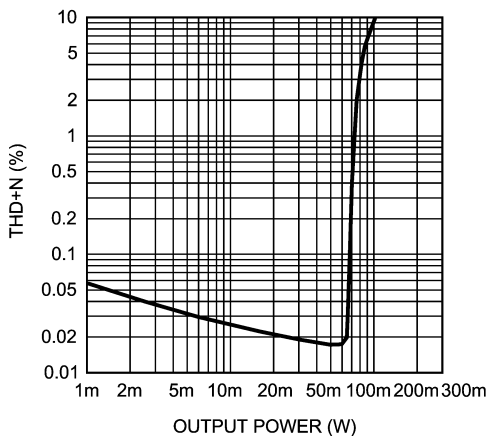
20147354

**THD+N vs Output Power**  
 $V_{DD} = 3V, R_L = 16\Omega, f = 1kHz, \text{two channels}$



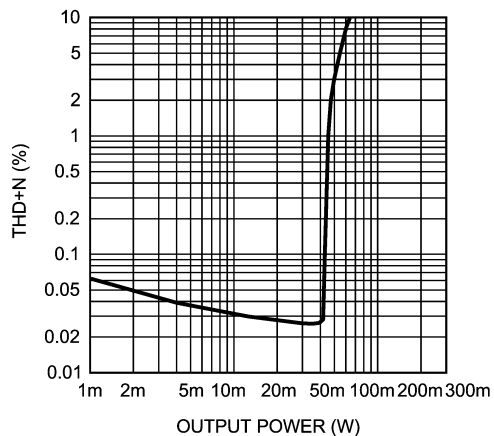
20147355

**THD+N vs Output Power**  
 $V_{DD} = 3V, R_L = 32\Omega, f = 1kHz, \text{one channel}$



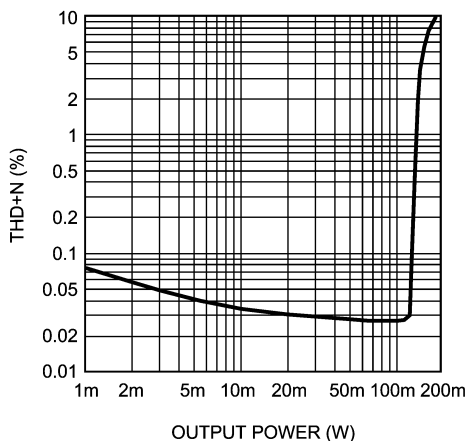
20147356

**THD+N vs Output Power**  
 $V_{DD} = 3V, R_L = 32\Omega, f = 1kHz, \text{two channels}$



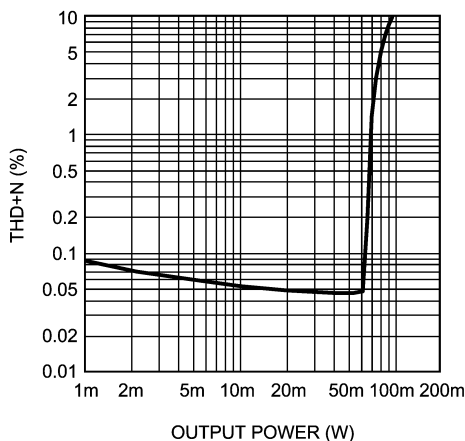
20147367

**THD+N vs Output Power**  
 $V_{DD} = 3.6V, R_L = 16\Omega, f = 1kHz, \text{one channel}$



20147368

**THD+N vs Output Power**  
 $V_{DD} = 3.6V, R_L = 16\Omega, f = 1kHz, \text{two channels}$

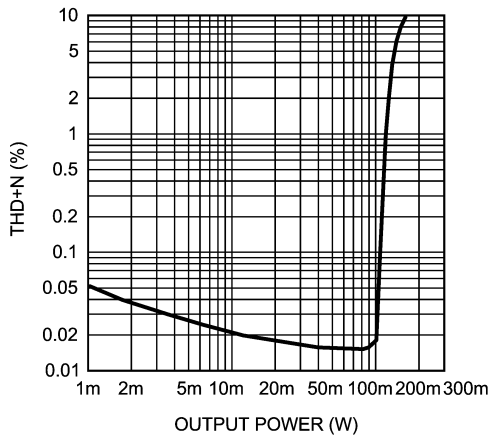


20147369



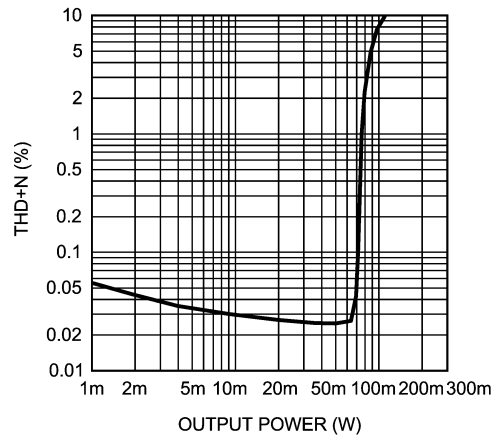
Typical Performance Characteristics (Continued)

**THD+N vs Output Power**  
 $V_{DD} = 3.6V, R_L = 32\Omega, f = 1kHz, \text{one channel}$



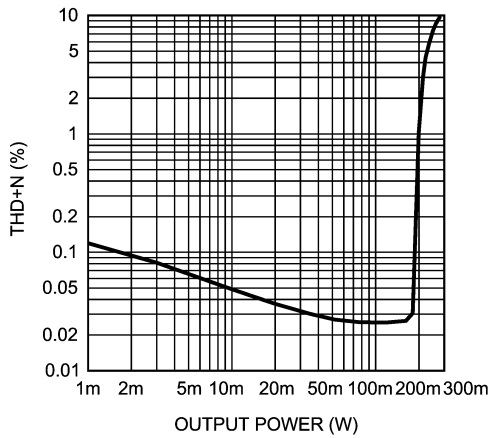
20147370

**THD+N vs Output Power**  
 $V_{DD} = 3.6V, R_L = 32\Omega, f = 1kHz, \text{two channels}$



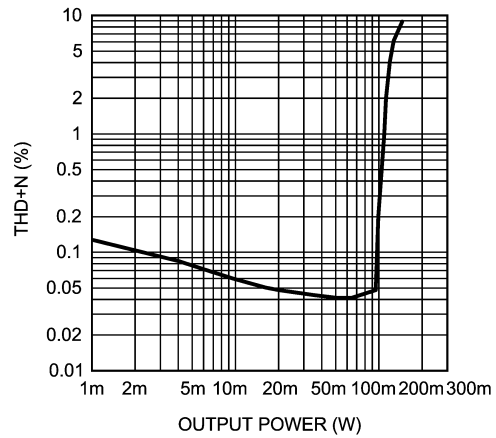
20147371

**THD+N vs Output Power**  
 $V_{DD} = 4.2V, R_L = 16\Omega, f = 1kHz, \text{one channel}$



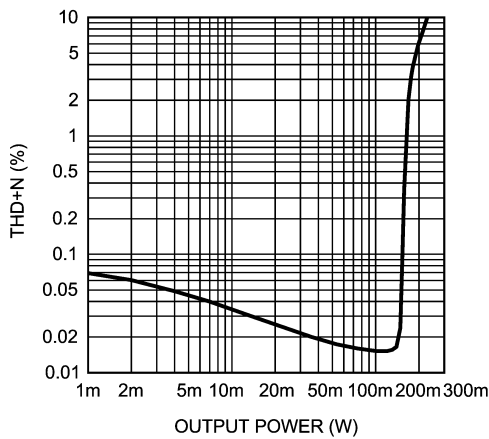
20147372

**THD+N vs Output Power**  
 $V_{DD} = 4.2V, R_L = 16\Omega, f = 1kHz, \text{two channels}$



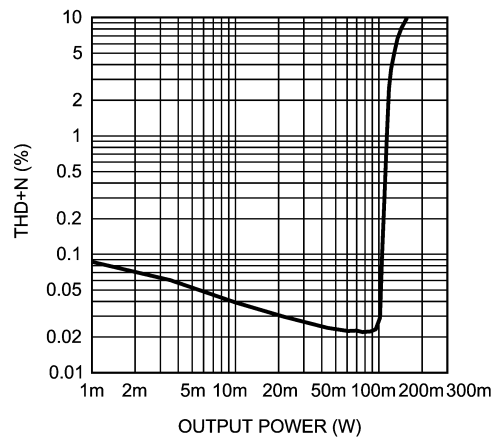
20147373

**THD+N vs Output Power**  
 $V_{DD} = 4.2V, R_L = 32\Omega, f = 1kHz, \text{one channel}$



20147374

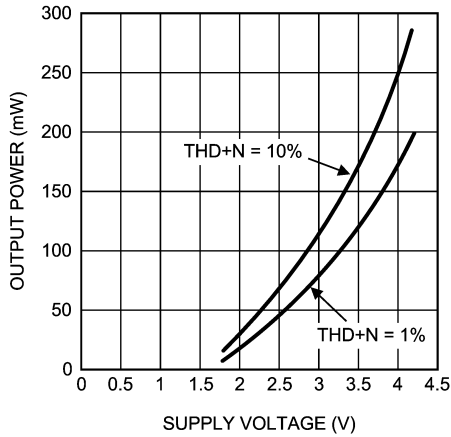
**THD+N vs Output Power**  
 $V_{DD} = 4.2V, R_L = 32\Omega, f = 1kHz, \text{two channels}$



20147375

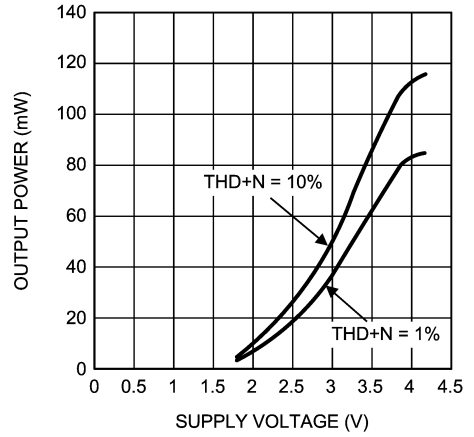
Typical Performance Characteristics (Continued)

Output Power vs Supply Voltage  
 $R_L = 16\Omega$ ,  $f = 1\text{kHz}$ , one channel



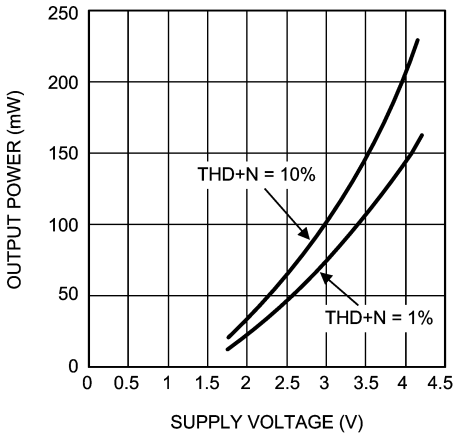
20147376

Output Power vs Supply Voltage  
 $R_L = 16\Omega$ ,  $f = 1\text{kHz}$ , two channels



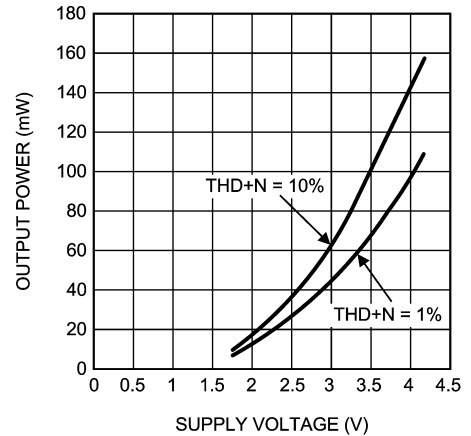
20147377

Output Power vs Supply Voltage  
 $R_L = 32\Omega$ ,  $f = 1\text{kHz}$ , one channel



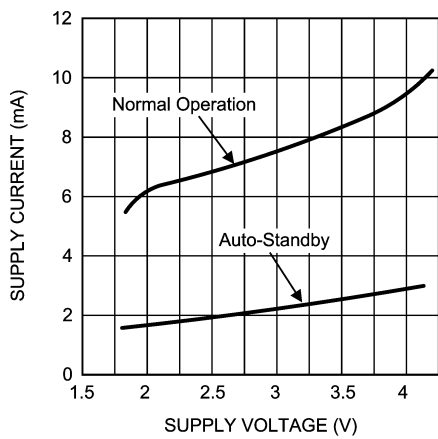
20147378

Output Power vs Supply Voltage  
 $R_L = 32\Omega$ ,  $f = 1\text{kHz}$ , two channels



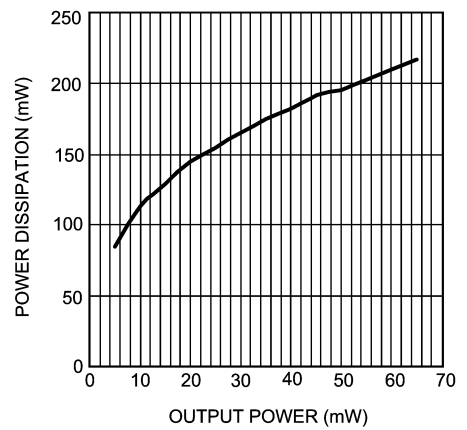
20147379

Supply Current vs Supply Voltage



20147380

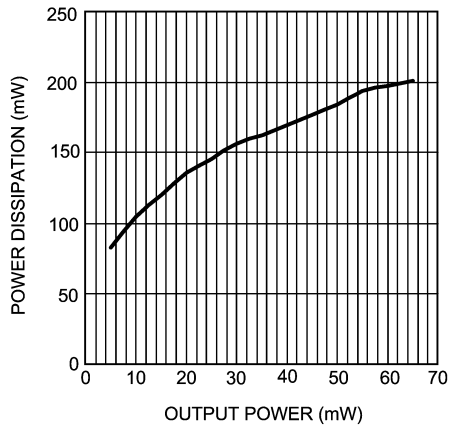
Power Dissipation vs Output Power  
 $R_L = 16\Omega$ ,  $V_{DD} = 3\text{V}$



20147381

## Typical Performance Characteristics (Continued)

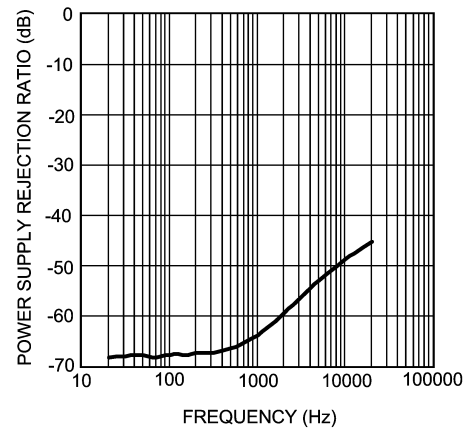
**Power Dissipation vs Output Power**  
 $R_L = 32\Omega$ ,  $V_{DD} = 3V$



20147382

**PSRR vs Frequency**

$V_{DD} = 3V$ ,  $R_L = 32\Omega$   
 $V_{ripple} = 200mVp-p$



20147383

## Application Information

### DIGITAL VOLUME CONTROL

The LM4981's gain is controlled by the signals applied to the CLOCK and UP/DN inputs. An external clock is required to drive the CLOCK pin. At each rising edge of the clock signal, the gain will either increase or decrease by a 3dB step depending on the logic voltage level applied to the UP/DN pin. A logic high voltage level applied to the UP/DN pin causes the gain to increase by 3dB at each rising edge of the clock signal. Conversely, a logic low voltage level applied to the UP/DN pin causes the gain to decrease 3dB at each rising edge of the clock signal. For both the CLOCK and UP/DN inputs, the trigger point is 1.4V minimum for a logic high level, and 0.4V maximum for a logic low level.

There are 16 discrete gain settings ranging from +12dB maximum to -33dB minimum. Upon device power on, the amplifier's gain is set to a default value of 0dB. However, when coming out of shutdown mode, the LM4981 will revert back to its previous gain setting.

The LM4981's CLOCK and UP/DN pins should be de-bounced in order to avoid unwanted state changes during transitions between  $V_{IL}$  and  $V_{IH}$ . This will ensure correct operation of the digital volume control. A microcontroller or microprocessor output is recommended to drive the CLOCK and UP/DN pins.

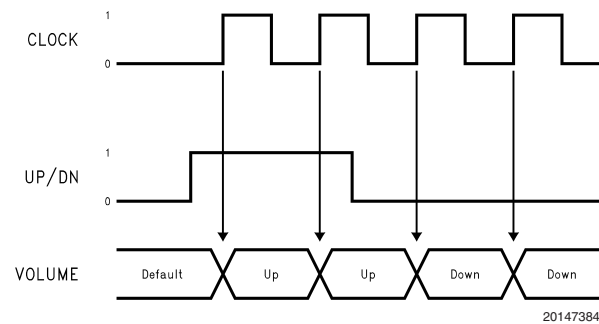


FIGURE 2. Timing Diagram

### ELIMINATING THE OUTPUT COUPLING CAPACITOR

The LM4981 features a low noise inverting charge pump that generates an internal negative supply voltage. This allows the outputs of the LM4981 to be biased about GND instead of a nominal DC voltage, like traditional headphone amplifiers. Because there is no DC component, the large DC blocking capacitors (typically 220 $\mu$ F) are not necessary. The coupling capacitors are replaced by two, small ceramic charge pump capacitors, saving board space and cost.

Eliminating the output coupling capacitors also improves low frequency response. In traditional headphone amplifiers, the headphone impedance and the output capacitor form a high pass filter that not only blocks the DC component of the output, but also attenuates low frequencies, impacting the bass response. Because the LM4981 does not require the output coupling capacitors, the low frequency response of the device is not degraded by external components.

In addition to eliminating the output coupling capacitors, the ground referenced output nearly doubles the available dynamic range of the LM4981 when compared to a traditional headphone amplifier operating from the same supply voltage.

### SUPPLY VOLTAGE SEQUENCING

It is a good general practice to first apply the supply voltage to a CMOS device before any other signal or supply on other pins. This is also true for the LM4891 audio amplifier which is a CMOS device.

Before applying any signal to the inputs or shutdown pins of the LM4891, it is important to apply a supply voltage to the  $V_{DD}$  pins. After the device has been powered, signals may be applied to the shutdown pins (see MICRO POWER SHUTDOWN) and input pins.

### POWER SUPPLY BYPASSING

As with any power amplifier, proper supply bypassing is critical for low noise performance and high power supply rejection. Applications that employ a 3V power supply typically use a 4.7 $\mu$ F capacitor in parallel with a 0.1 $\mu$ F ceramic filter capacitor to stabilize the power supply's output, reduce noise on the supply line, and improve the supply's transient response. Keep the length of leads and traces that connect capacitors between the LM4981's power supply pin and ground as short as possible.

### POWER DISSIPATION

Power dissipation is a major concern when using any power amplifier and must be thoroughly understood to ensure a successful design. Equation 1 states the maximum power dissipation point for a single-ended amplifier operating at a given supply voltage and driving a specified output load.

$$P_{DMAX} = (V_{DD})^2 / (2\pi^2 R_L) \quad (1)$$

Since the LM4981 has two operational amplifiers in one package, the maximum internal power dissipation point is twice that of the number which results from Equation 1. Even with the large internal power dissipation, the LM4981 does not require heat sinking over a large range of ambient temperature. From Equation 1, assuming a 5V power supply and a 32 $\Omega$  load, the maximum power dissipation point is 40mW per amplifier. Thus the maximum package dissipation point is 80mW. The maximum power dissipation point obtained must not be greater than the power dissipation predicted by Equation 2:

$$P_{DMAX} = (T_{JMAX} - T_A) / \theta_{JA} \quad (2)$$

For a given ambient temperature,  $T_A$ , of the system surroundings, Equation 2 can be used to find the maximum internal power dissipation supported by the IC packaging. If the result of Equation 1 is greater than that of Equation 2, then either the supply voltage must be decreased, the load impedance increased, or  $T_A$  reduced.

### SHUTDOWN FUNCTION

In order to reduce power consumption while not in use, the LM4981 contains shutdown circuitry that is used to turn off the amplifier's bias circuitry. In addition, the LM4981 contains a Shutdown Mode pin, allowing the designer to designate whether the part will be driven into shutdown with a high level logic signal or a low level logic signal. This allows the designer maximum flexibility in device use, as the Shutdown Mode pin may simply be tied permanently to either  $V_{DD}$  or GND to set the LM4981 as either a "shutdown-high" device or a "shutdown-low" device, respectively. The device may then be placed into shutdown mode by toggling the Shut-

## Application Information (Continued)

down pin to the same state as the Shutdown Mode pin. For simplicity's sake, this is called "shutdown same", as the LM4981 enters shutdown mode whenever the two pins are in the same logic state. The trigger point for either shutdown high or shutdown low is shown as a typical value in the Supply Current vs Shutdown Voltage graphs in the **Typical Performance Characteristics** section. It is best to switch between ground and supply for maximum performance. While the device may be disabled with shutdown voltages in between ground and supply, the idle current may be greater than the typical value of 0.1  $\mu$ A. In either case, the shutdown pin should be tied to a definite voltage to avoid unwanted state changes.

In many applications, a microcontroller or microprocessor output is used to control the shutdown circuitry, which provides a quick, smooth transition to shutdown. Another solution is to use a single-throw switch in conjunction with an external pull-up resistor (or pull-down, depending on shutdown high or low application). This scheme guarantees that the shutdown pin will not float, thus preventing unwanted state changes.

### OUTPUT TRANSIENT ('CLICK AND POPS') ELIMINATED

The LM4981 contains advanced circuitry that virtually eliminates output transients ('clicks and pops'). This circuitry prevents all traces of transients when the supply voltage is first applied or when the part resumes operation after coming out of shutdown mode.

### EXPOSED-DAP CONSIDERATIONS

It is essential that the exposed Die Attach Paddle (DAP), for the LM4981, is NOT connected to GND. For optimal operation it should be connected to AVSS and VCP-OUT (Pins 5 and 11).

### SELECTING PROPER EXTERNAL COMPONENTS

Optimizing the LM4981's performance requires properly selecting external components. Though the LM4981 operates well when using external components with wide tolerances, best performance is achieved by optimizing component values

#### Charge Pump Capacitor Selection

Use low ESR (equivalent series resistance) (<100m $\Omega$ ) ceramic capacitors with an X7R dielectric for best performance. Low ESR capacitors keep the charge pump output impedance to a minimum, extending the headroom on the

negative supply. Higher ESR capacitors result in reduced output power from the audio amplifiers.

Charge pump load regulation and output impedance are affected by the value of the flying capacitor ( $C_C$ ). A larger valued  $C_C$  (up to 3.3 $\mu$ F) improves load regulation and minimizes charge pump output resistance. Beyond 3.3 $\mu$ F, the switch-on resistance dominates the output impedance for capacitor values above 2.2 $\mu$ F.

The output ripple is affected by the value and ESR of the output capacitor ( $C_{SS}$ ). Larger capacitors reduce output ripple on the negative power supply. Lower ESR capacitors minimize the output ripple and reduce the output impedance of the charge pump.

The LM4981 charge pump design is optimized for 2.2 $\mu$ F, low ESR, ceramic, flying, and output capacitors.

#### Input Capacitor Value Selection

Amplifying the lowest audio frequencies requires high value input coupling capacitors ( $C_{inA}$  and  $C_{inB}$  in Figure 1). A high value capacitor can be expensive and may compromise space efficiency in portable designs. In many cases, however, the speakers used in portable systems, whether internal or external, have little ability to reproduce signals below 150Hz. Applications using speakers with this limited frequency response reap little improvement by using high value input and output capacitors.

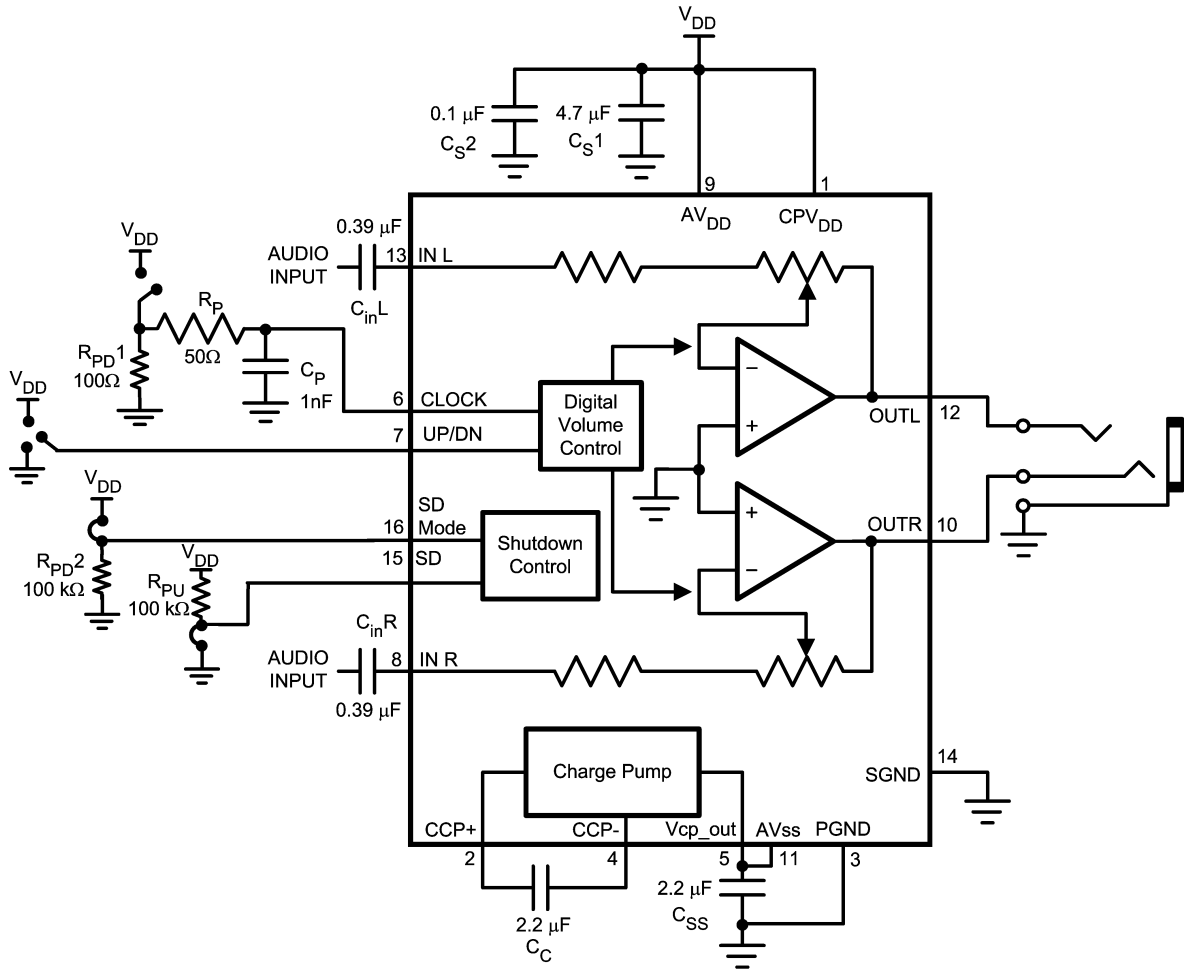
Besides affecting system cost and size, the input capacitor has an effect on the LM4981's click and pop performance. The magnitude of the pop is directly proportional to the input capacitor's size. Thus, pops can be minimized by selecting an input capacitor value that is no higher than necessary to meet the desired -3dB frequency.

As shown in Figure 1, the internal input resistor,  $R_i$  and the input capacitor,  $C_i$ , produce a -3dB high pass filter cutoff frequency that is found using Equation (3). Conventional headphone amplifiers require output capacitors; Equation (3) can be used, along with the value of  $R_L$ , to determine towards the value of output capacitor needed to produce a -3dB high pass filter cutoff frequency.

$$f_{i-3dB} = 1 / 2\pi R_i C_i \quad (3)$$

Also, careful consideration must be taken in selecting a certain type of capacitor to be used in the system. Different types of capacitors (tantalum, electrolytic, ceramic) have unique performance characteristics and may affect overall system performance. (See the section entitled Charge Pump Capacitor Selection.)

Application Information (Continued)



20147389

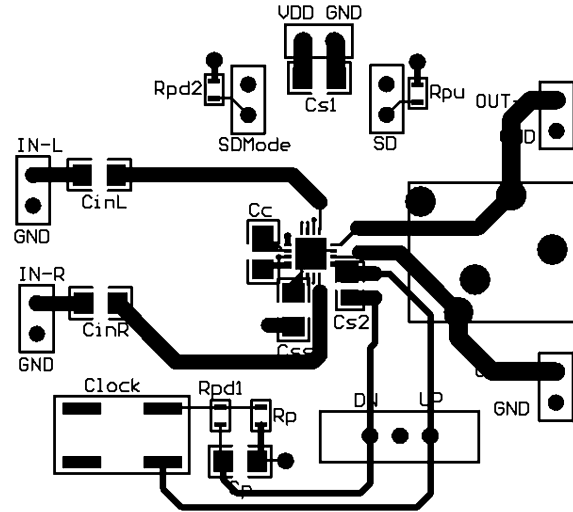
FIGURE 3. Demo Board Schematic

# Application Information (Continued)

## LM4981 DEMO BOARD ARTWORK

### Top Layer

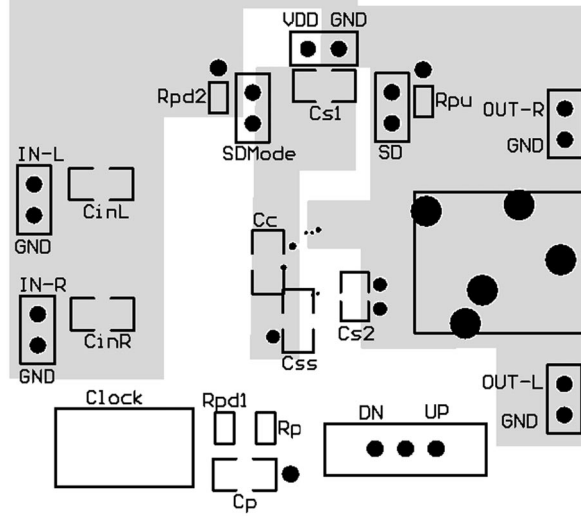
#### LM4981SQ BOOMER Audio Headphone Amplifier



20147390

### Mid Layer 1

#### LM4981SQ BOOMER Audio Headphone Amplifier

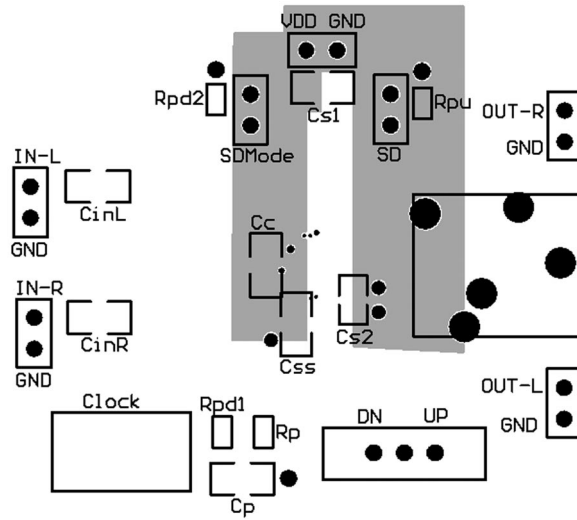


20147391

**Application Information** (Continued)

**Mid Layer 2**

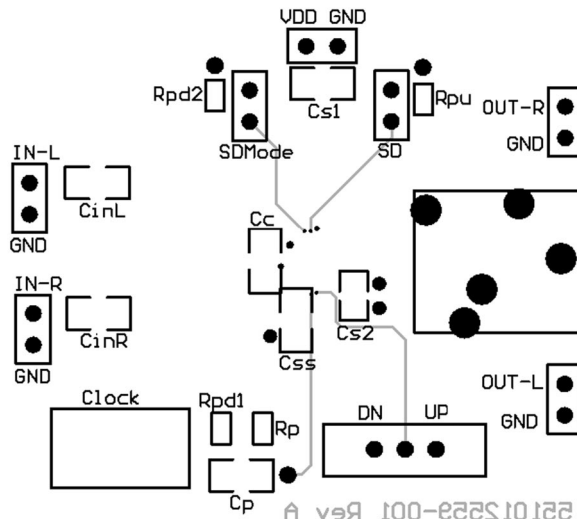
**LM4981SQ BOOMER  
Audio Headphone Amplifier**



20147392

**Bottom Layer**

**LM4981SQ BOOMER  
Audio Headphone Amplifier**



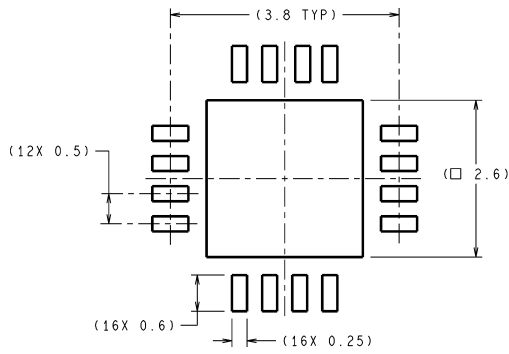
20147393



## Revision History

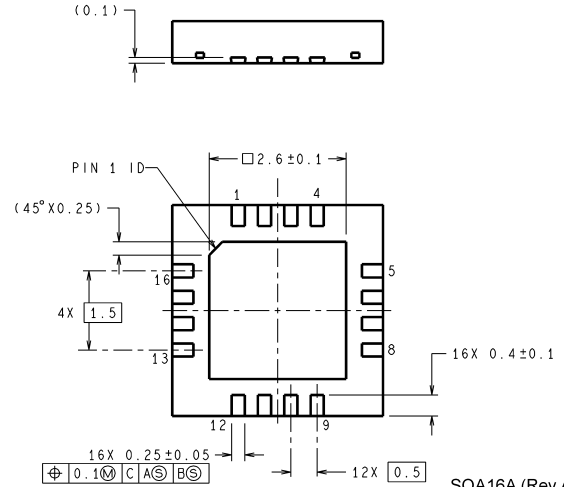
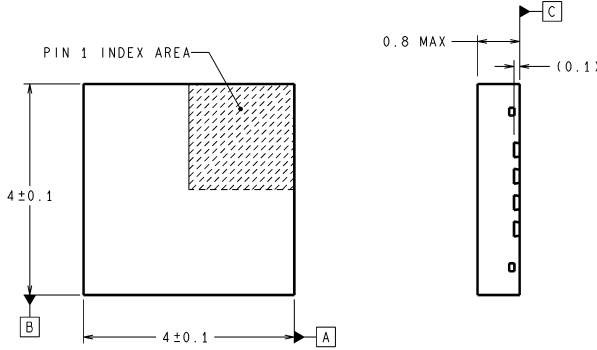
Rev	Date	Description
1.0	11/9/05	Initial WEB release.
1.1	12/21/05	Edited the EXPOSED-DAP CONSIDERATIONS (Application Info section), edited the doc title; then re-released D/S to the WEB.
1.2	03/09/06	Deleted the AUTOMATIC STANDBY MODE section (per Vera T.) and Idd (Standby Power Supply Current) from the EC table (per Genevieve), then re-released D/S to the WEB.
1.3	06/05/06	Edited the LLP markings (per Genevieve), then released D/S to the WEB.
1.4	06/21/06	The D/S was taken off the WEB per Genevieve Vansteeg (due to some problems found).
1.5	07/06/06	Released the D/S into the WEB as "PRELIMINARY" per Genevieve Vansteeg.

**Physical Dimensions** inches (millimeters) unless otherwise noted



DIMENSIONS ARE IN MILLIMETERS  
DIMENSIONS IN ( ) FOR REFERENCE ONLY

**RECOMMENDED LAND PATTERN**



**Order Number LM4981SQ**  
**NS Package Number NSQAL016**

National does not assume any responsibility for use of any circuitry described, no circuit patent licenses are implied and National reserves the right at any time without notice to change said circuitry and specifications.

For the most current product information visit us at [www.national.com](http://www.national.com).

**LIFE SUPPORT POLICY**


NATIONAL'S PRODUCTS ARE NOT AUTHORIZED FOR USE AS CRITICAL COMPONENTS IN LIFE SUPPORT DEVICES OR SYSTEMS WITHOUT THE EXPRESS WRITTEN APPROVAL OF THE PRESIDENT AND GENERAL COUNSEL OF NATIONAL SEMICONDUCTOR CORPORATION. As used herein:

1. Life support devices or systems are devices or systems which, (a) are intended for surgical implant into the body, or (b) support or sustain life, and whose failure to perform when properly used in accordance with instructions for use provided in the labeling, can be reasonably expected to result in a significant injury to the user.
2. A critical component is any component of a life support device or system whose failure to perform can be reasonably expected to cause the failure of the life support device or system, or to affect its safety or effectiveness.

**BANNED SUBSTANCE COMPLIANCE**

National Semiconductor follows the provisions of the Product Stewardship Guide for Customers (CSP-9-111C2) and Banned Substances and Materials of Interest Specification (CSP-9-111S2) for regulatory environmental compliance. Details may be found at: [www.national.com/quality/green](http://www.national.com/quality/green).

Lead free products are RoHS compliant.

 **National Semiconductor**  
Americas Customer  
Support Center  
Email: [new.feedback@nsc.com](mailto:new.feedback@nsc.com)  
Tel: 1-800-272-9959

**National Semiconductor**  
Europe Customer Support Center  
Fax: +49 (0) 180-530 85 86  
Email: [europe.support@nsc.com](mailto:europe.support@nsc.com)  
Deutsch Tel: +49 (0) 69 9508 6208  
English Tel: +44 (0) 870 24 0 2171  
Français Tel: +33 (0) 1 41 91 8790

**National Semiconductor**  
Asia Pacific Customer  
Support Center  
Email: [ap.support@nsc.com](mailto:ap.support@nsc.com)

**National Semiconductor**  
Japan Customer Support Center  
Fax: 81-3-5639-7507  
Email: [jpn.feedback@nsc.com](mailto:jpn.feedback@nsc.com)  
Tel: 81-3-5639-7560